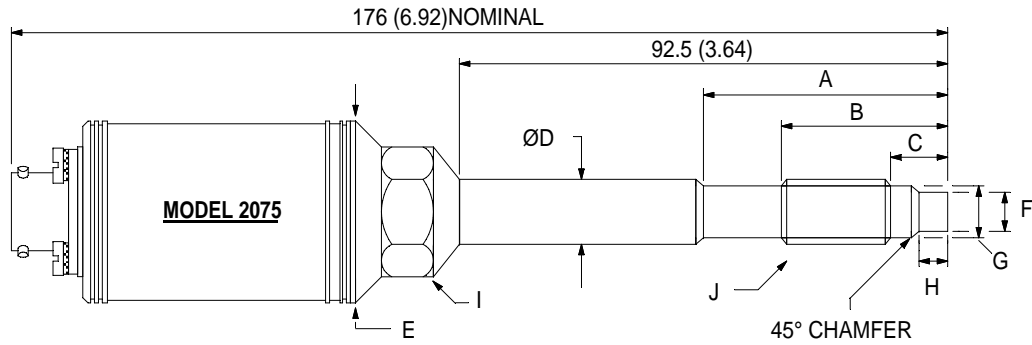


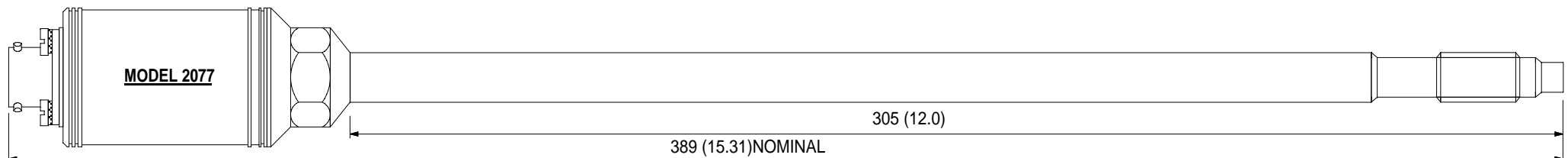
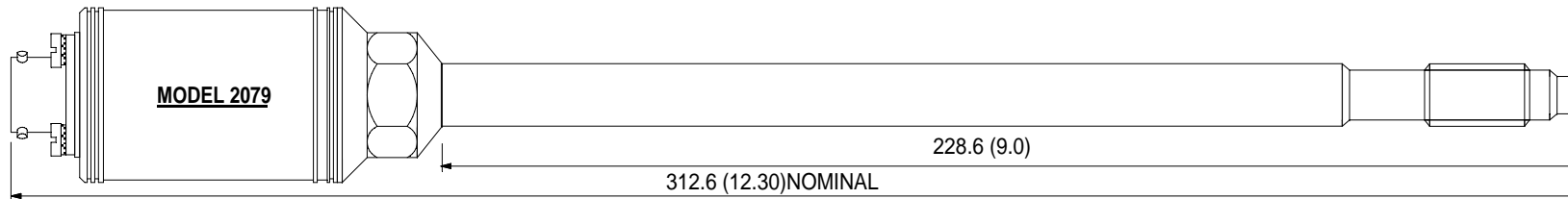
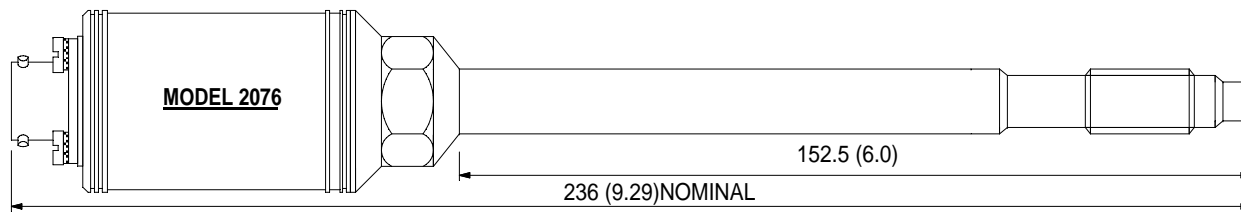
TERWIN 2000 SERIES STEM LENGTH OPTIONS

Drawing Ref: EXO/2000/0245 (A)

CAD Ref: TI245



| mm (INCHES) | DIMENSION |
|--------------------------|-----------|
| 47 (1.85) | A |
| 31.3 (1.23) | B |
| 12.2 (0.48) | C |
| 12.7 (0.50) | D |
| 35.0 (1.38) | E |
| 7.77±0.03 (0.306±0.001) | F |
| 10.49±0.03 (0.413±0.001) | G |
| 5.54±0.12 (0.218±0.005) | H |
| 22 A/F | I |
| 1/2-20-UNF-2A | J |



PLEASE NOTE:

A to J dimensions are common to all standard models listed.