



Customer Service and Product Quality Are Our No.1 Priority

Terwin "TEBP" Series Extrusion Burst Plugs



The Terwin TEBP-Series burst plugs are specifically designed for use in extruders where the maximum process temperature does not exceed 410°C (750°F).

The TEBP Series is designed to provide a reliable last line of defence against the build up of excessive pressure. The instantaneously rupture at a predetermined pressure.

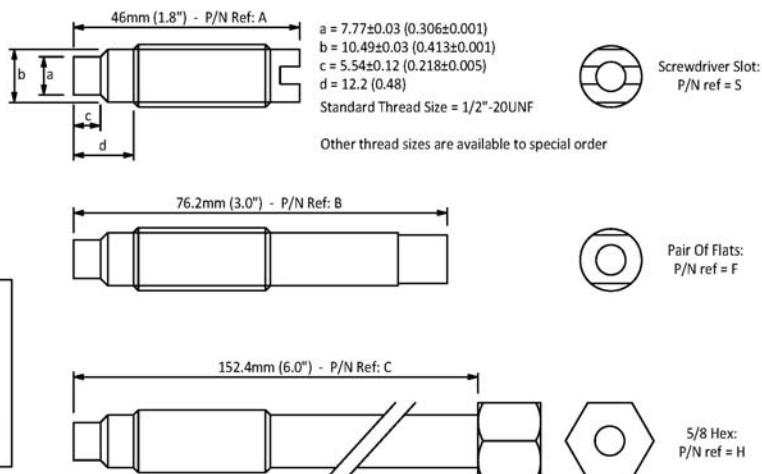
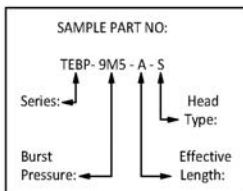
Features:

- ✓ Standard burst pressures from stock.
- ✓ Available in 3 standard lengths.
- ✓ Reliable.
- ✓ Accuracy ±5%
- ✓ Simple intrinsically safe design.
- ✓ Low installation & maintenance costs.

Standard Burst Pressures Are As Follows:-

3M5 = 3,500psi
5M5 = 5,500psi
7M5 = 7,500psi
9M5 = 9,500psi

Other burst pressures are available to special order.



Terwin Instruments Ltd, Winterbeck Industrial Estate, Orston Lane, BOTTESFORD, Nottinghamshire, NG13 0AU – UK
Tel: +44 (0) 1949 84 2000 Fax: +44 (0) 1949 84 2004 E-mail: info@terwin.com www.terwin.com